



3500 Pelco Way,
Clovis, CA 93612-5699
USA

In North America & Canada:
Tel (800) 289-9100
FAX (800) 289-9150

International Customers:
Tel +1 (559) 292-1981
FAX +1 (559) 348-1120

www.pelco.com



C204M-A (11/99) PP4348 Rooftop Parapet Adapter Mount

IMPORTANT SAFEGUARDS AND WARNINGS

Prior to installation and use of this product, the following WARNINGS should be observed.

1. Installation and servicing should only be done by qualified service personnel and conform to all local codes.
2. Only use replacement parts recommended by Pelco.
3. Use only installation methods and materials capable of supporting four times the maximum specified load.
4. Use stainless steel hardware to fasten the mount to outdoor surfaces.
5. To prevent damage from water leakage when installing a mount outdoors on a roof or wall, apply sealant around the bolt holes between the mount and mounting surface. Please thoroughly familiarize yourself with the information in this manual prior to installation and operation.

DESCRIPTION

The PP4348 is a rooftop parapet mount designed for use with Legacy® Series pan/tilts and enclosures. The PP4348 can also be used with the IWM Series Wall Mount and IDM4018 Wall Mount for pendant domes. The PP4348 mounts directly on a flat roof or smooth horizontal surface and supports up to 75 pounds (34 kg).

INSTALLATION

1. Determine the mounting location. Use the base of the mount as a template and mark the bolt hole positions on the mounting surface.
2. Set the base plate to the side and prepare the bolt holes for the fasteners.
3. Reposition the base of the PP4348 and secure with a minimum of eight fasteners. To prevent water damage, seal the bolt holes with appropriate sealant. Apply sealant between the mount and the mounting surface.
4. Route the wiring and cabling into the feedthrough hole in the base of the PP4348. Refer to Figure 1.
5. Guide the wiring and cabling through the bottom of the pole assembly and out the feedthrough hole at the top of the pole assembly. Insert the pole assembly into the base. Install but do not tighten the two 1/4-20 bolts to secure the pole assembly.
6. Attach the mount arm to the PP4348 with the four sets of flat washers, lock washers, and nuts that are supplied. Refer to the instruction manual supplied with the mount arm.
7. After ensuring the system is completely operational, rotate the upper assembly into position and tighten the two 1/4-20 bolts to secure the pole assembly.

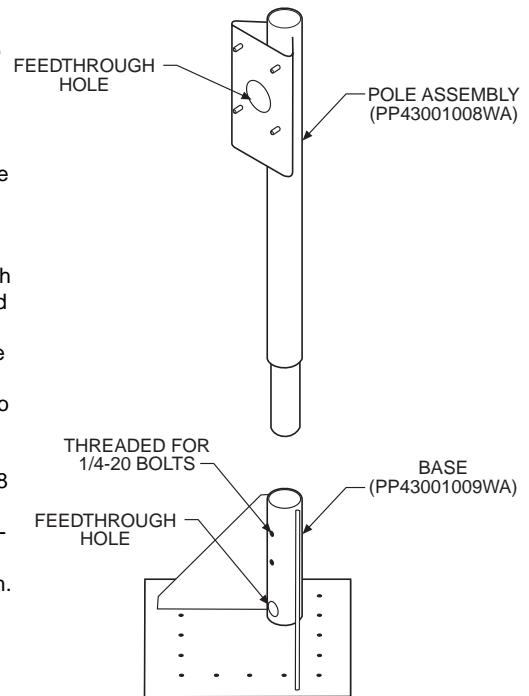
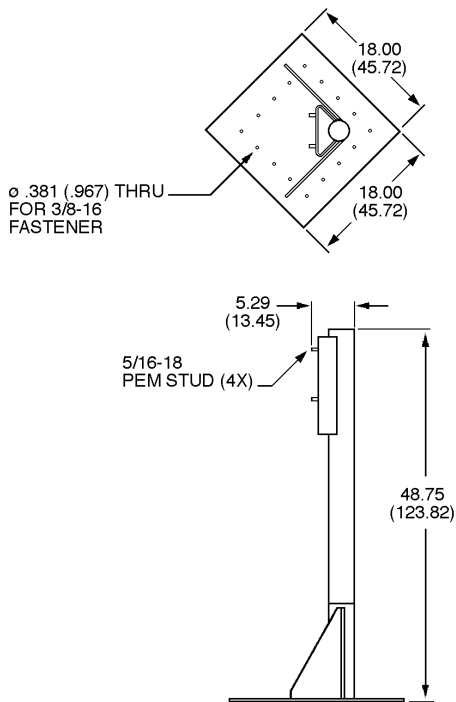


Figure 1. PP4348 Exploded View



NOTE: VALUES IN PARENTHESES ARE CENTIMETERS;
ALL OTHERS ARE INCHES.

Figure 2. PP4348 Dimension Drawing

SPECIFICATIONS

MECHANICAL

Positioning
Adjustment: 360°

GENERAL

Suggested
Mounting
Method: Secure with a minimum of eight 3/8-inch fasteners (not supplied) suitable for the mounting surface

Adapter
Mounting: Four 5/16-18 mounting studs, flat washers, lock washers and nuts supplied for mounting

Maximum
Load: 75 lb (34 kg)

Construction: Aluminum

Finish: Gray polyester powder coat

Environment: Indoor/outdoor

Dimensions: See Figure 2

Weight: 29.63 lb (13.44 kg)

(Design and product specifications subject to change without notice.)

WARRANTY AND RETURN INFORMATION

WARRANTY

Pelco will repair or replace, without charge, any merchandise proved defective in material or workmanship for a period of one year after the date of shipment.

Exceptions to this warranty are as noted below:

- Five years on FT/FR8000 Series fiber optic products.
- Three years on Genex® Series products (multiplexers, server, and keyboard).
- Three years on Camclosure® and fixed camera models, except the CC3701H-2, CC3701H-2X, CC3751H-2, CC3651H-2X, MC3651H-2, and CC3651H-2X camera models, which have a five-year warranty.
- Two years on standard motorized or fixed focal length lenses.
- Two years on Legacy®, CM6700/CM6800/CM9700 Series matrix, and DF5/DF8 Series fixed dome products.
- Two years on Spectra®, Esprit®, ExSite™, and PS20 Scanners, including when used in continuous motion applications.
- Two years on Esprit® and WW5700 Series window wiper (excluding wiper blades).
- Eighteen months on DX Series digital video recorders, NVR300 Series network video recorders, and Endura™ Series distributed network-based video products. months on DX Series digital video recorders, NVR300 Series network video recorders, Endura™ Series distributed network-based video products, and TW3000 Series twisted pair transmission products.
- One year (except video heads) on video cassette recorders (VCRs). Video heads will be covered for a period of six months.
- Six months on all pan and tilts, scanners or preset lenses used in continuous motion applications (that is, preset scan, tour and auto scan modes).

Pelco will warrant all replacement parts and repairs for 90 days from the date of Pelco shipment. All goods requiring warranty repair shall be sent freight prepaid to Pelco, Clovis, California. Repairs made necessary by reason of misuse, alteration, normal wear, or accident are not covered under this warranty.

Pelco assumes no risk and shall be subject to no liability for damages or loss resulting from the specific use or application made of the Products. Pelco's liability for any claim, whether based on breach of contract, negligence, infringement of any rights of any party or product liability, relating to the Products shall not exceed the price paid by the Dealer to Pelco for such Products. In no event will Pelco be liable for any special, incidental or consequential damages (including loss of use, loss of profit and claims of third parties) however caused, whether by the negligence of Pelco or otherwise.

The above warranty provides the Dealer with specific legal rights. The Dealer may also have additional rights, which are subject to variation from state to state.

If a warranty repair is required, the Dealer must contact Pelco at (800) 289-9100 or (559) 292-1981 to obtain a Repair Authorization number (RA), and provide the following information:

1. Model and serial number
2. Date of shipment, P.O. number, Sales Order number, or Pelco invoice number
3. Details of the defect or problem

If there is a dispute regarding the warranty of a product which does not fall under the warranty conditions stated above, please include a written explanation with the product when returned.

Method of return shipment shall be the same or equal to the method by which the item was received by Pelco.

RETURNS

In order to expedite parts returned to the factory for repair or credit, please call the factory at (800) 289-9100 or (559) 292-1981 to obtain an authorization number (CA number if returned for credit, and RA number if returned for repair).

All merchandise returned for credit may be subject to a 20% restocking and refurbishing charge.

Goods returned for repair or credit should be clearly identified with the assigned CA or RA number and freight should be prepaid. Ship to the appropriate address below.

If you are located within the continental U.S., Alaska, Hawaii or Puerto Rico, send goods to:

Service Department
Pelco
3500 Pelco Way
Clovis, CA 93612-5699

If you are located outside the continental U.S., Alaska, Hawaii or Puerto Rico and are instructed to return goods to the USA, you may do one of the following:

If the goods are to be sent by a COURIER SERVICE, send the goods to:

Pelco
3500 Pelco Way
Clovis, CA 93612-5699 USA

If the goods are to be sent by a FREIGHT FORWARDER, send the goods to:

Pelco c/o Expeditors
473 Eccles Avenue
South San Francisco, CA 94080 USA
Phone: 650-737-1700
Fax: 650-737-0933

REVISION HISTORY

Manual #	Date	Comments
C204M		Original version.
C204M-A	11/99	Updated manual to new format. Removed reference to Intercept®.